

SUN PROTECTION FOR CURTAIN WALLS

Fixscreen Minimal Curtain Wall 50





WHY DO YOU NEED SUN PROTECTION?

Sufficient daylight contributes to comfortable living and working, and a general feeling of well-being. And so the choice for larger windows seems logical. But know that without sun protection the risk of overheating is just around the corner.

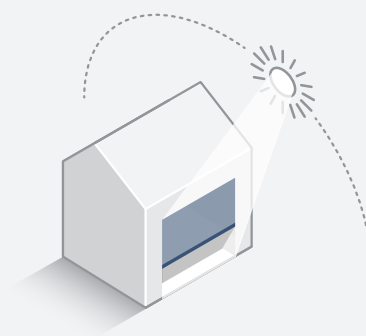
“External solar shading is the most efficient way to enjoy pleasant indoor temperatures in summer and winter”

CUSTOMISED COMFORT IN EVERY SEASON

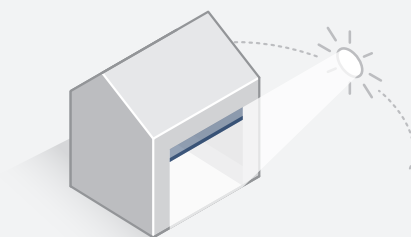
New building projects are increasingly becoming better insulated, with airtight finishing. Although this will reduce your energy bill, it will soon become unbearably hot indoors when the sun shines on large windows. And once you have heat indoors, it is very difficult to expel it from a well-insulated house.

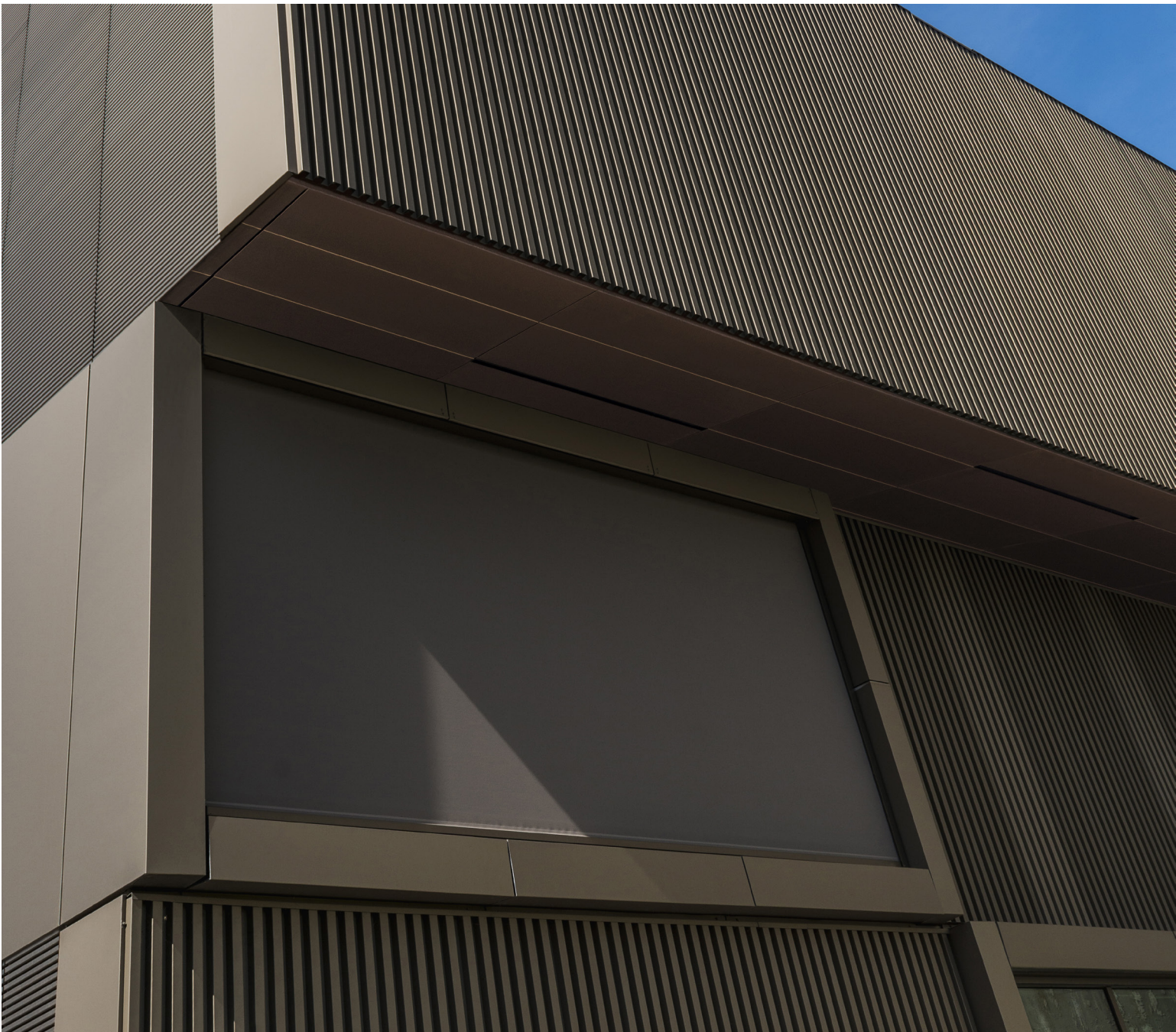
This makes it vitally important to ‘control’ sunlight so that you can enjoy it to the fullest. For example, you could raise the external sun protection during the winter. Because then you do benefit from bringing in as much solar heat as possible to help warm up the interior. In the summer it is a must to let the screens down to keep the inside temperature under control. This also prevents annoying reflections, without disturbing the view of the outside.

SUMMER



WINTER

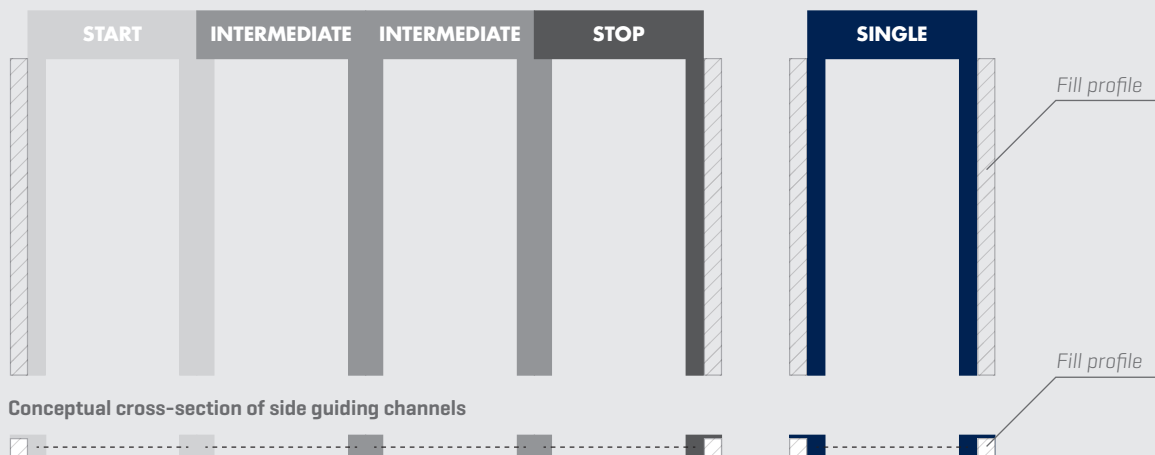




How to combine screens with a curtain wall?

For curtain walls, Renson® offers the choice between a single screen, or a series of screens over the entire glass facade. If a series of screens is needed, the installation starts with the start screen. This consists of two coupling side guiding channels, the outer one of which contains a fill profile that will replace the zip channel to ensure an aesthetically pleasing finish. This start screen is followed by the required amount of intermediate screens. The last screen is a stop screen, which also contains a fill profile at the end.

Conceptual view



CURTAIN WALLS AND SUN PROTECTION

Curtain wall façades are becoming increasingly more common in contemporary architecture, and are not only found in commercial buildings but in residential buildings as well. However, the existence of such large glass panes should also not reduce the level of comfort in the interior of the house. Thus although adequate daylight offers many advantages, external solar shading is also required to control the internal temperature in the house.

Renson® has created a **unique product range** to help integrate this sun screen nicely: It is now possible to centrally install the coupling side guiding channels, thereby enabling the easy installation of the sun screens on the curtain wall transoms itself. This design also takes due account of thermal expansion, and consequently it is easily possible for you to connect an infinite number of screens to each other.

The Renson® curtain wall solution is based on the Fixscreen Minimal range, in the form of the **Fixscreen Minimal Curtain Wall 50**.

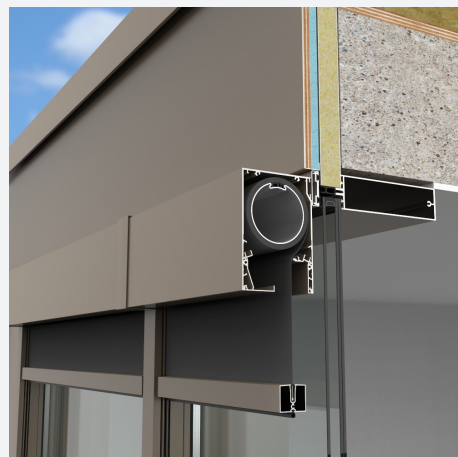
As a pioneer of windproof fabric awnings up to 130 km/h, Renson® raises the bar even higher with the Fixscreen Minimal. The ultimate aim is the highest possible level of aesthetic integration into the façade, whether it be for new built, renovation or curtain wall projects. To ensure this, each and every part and detail of the Fixscreen sun protection was studied in depth: head box, side guiding channels, fabric set, dimensions, screen tension, etc.

With its minimalist look, the Fixscreen Minimal Curtain Wall 50 fits seamlessly into the design of curtain walls. Furthermore, a central fastening to the curtain wall is guaranteed by the design of the side guiding channel of only 50 mm.

What makes this product even more unique is that it is also available as a co-developed, validated system in cooperation with certain curtain wall suppliers.



Recessed installation



Surface-mounted installation

FIXSCREEN® MINIMAL CURTAIN WALL 50

Coupling side guiding channel
of just 50 mm wide



High-end design, screwless,
with a lacquered aluminium zip
channel and 0° base plate



Screen box equipped with thermal expansion

Wide range of fabrics and powder coating colours

Smaller, fully retractable bottom bar with invisible welding seam

FIXSCREEN® MINIMAL CURTAIN WALL 50

MINIMAL IMPACT ON THE ARCHITECTURE

The box design for the Fixscreen Minimal curtain wall variant ensures that it can easily be installed discreetly concealed or placed so as to be visible. The discreet design of the side guiding channel and bottom bar ensures a minimal impact on the architecture. The **coupling side guiding channel C.50** has a frontal width of 50 mm, which perfectly matches the wide range of available curtain wall profiles of 50 mm. The redesigned **bottom bar** is now fully retractable and has a maximum height of just 35 mm.

Fixscreen Minimal

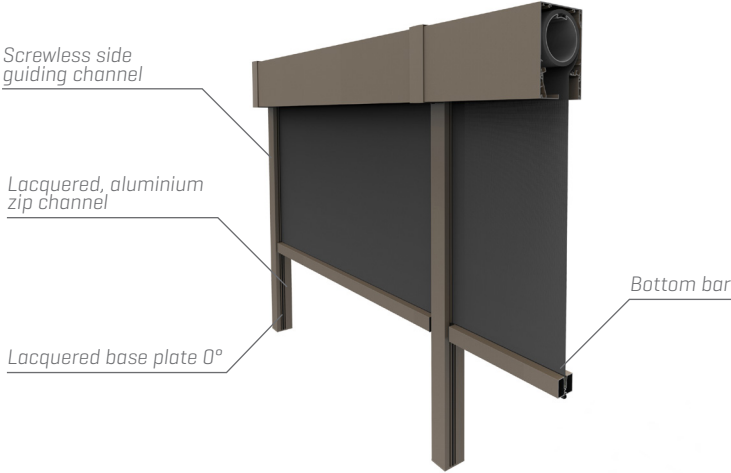


MINIMALIST DESIGN WITH AN EYE FOR DETAIL

Every minor detail of the Fixscreen Minimal has been designed with the greatest of care. For example, no screws are visible anywhere, since the **side guiding channel** elements snap seamlessly into each other

An **aluminium powder coated zip guide** is integrated in the side guiding channel, and this is finished at the bottom with a **base plate** below 0°. To ensure uniform appearance, the zip channel and the side guiding channel are all in the same colour. For start and stop screens, a **fill profile** in the side guiding channel provides an aesthetically pleasing finish.

The welding seams in the **bottom bar** – a uniform feature of the entire Fixscreen Minimal range – is equipped with a recessed detail that hides the welded seam. The result is a beautiful, aesthetically pleasing whole.

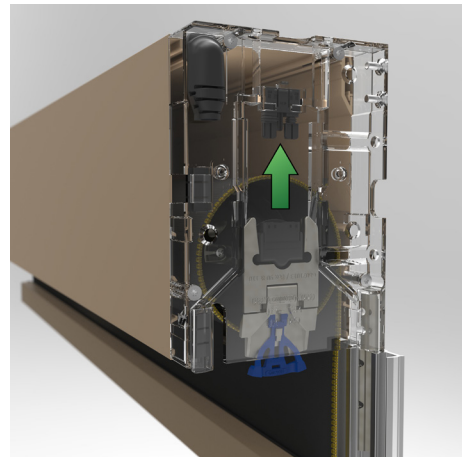


HIGH-END TECHNOLOGY

The **Connect&Go** is a patented, splash-proof electrical connector in the fabric box. With Connect&Go, the fabric roller tube, the motor and the fabric can all be installed and uninstalled quickly, easily and safely. The well-known technology was fully redesigned and renewed to make it even more robust. Thanks to the **Click&Safe-technology**, the screen set can now be clicked into the head box without screws so that the installer has his hands free to complete the installation safely. Apart from being aesthetically pleasing, the aluminium zip channel maintains perfect screen tension, and also increases the durability of the entire assembly. The unique, tried and tested **Smooth-technology** formula has also been integrated into this zip channel. With Smooth-technology, the zip glides noiselessly into the channel and at the same time guarantees its high wind resistance, even in the long term.

The **fabric tension** is achieved through a unique manner in which the screen is integrated into the Fixscreen Minimal. The distribution of tension over the entire screen is jointly ensured by the weighted bottom bar and the aluminium zip channels. The screen within the box itself passes smoothly over a screen guide profile. This ensures the controlled upward and downward movement of the screen – regardless of the amount of screen on the fabric roller tube.

It is the combined effect of these unique innovative technical features that ensures an extremely high wind guarantee, in the closed position, against **winds of up to 130 km/h** in the case of freestanding screens.



EASE OF INSTALLATION COMES FIRST

This new product range takes the design aspect into account as well as ease of installation. The side guiding channels are first installed, on which the box assembly is then mounted – a simple and fast construction kit.

To further facilitate assembly, a separate **mounting pin** has been provided to connect the box and the side guiding channel.

Consequently, it is now very easy to detach the **bottom bar** from the screen. This reduces the weight, which in turn enables faster assembly and dismantling. The fabric roller tube is also equipped with a new, detachable snap (click) profile that minimises the horizontal line formation in the screen, and also enables you to quickly snap the screen out of the **fabric roller tube**.

The installation of the entire screen box as a simple and fast construction kit

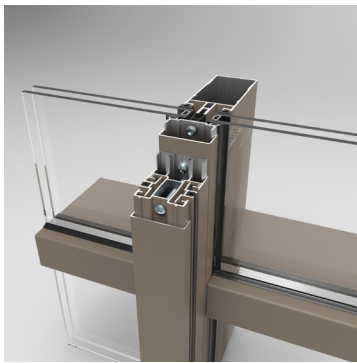


The bottom bar simply snaps loose from the screen



FIXSCREEN® MINIMAL CURTAIN WALL 50

Installation method 7A (MS 7A): Surface-mounted or recessed, in front of the window, with fully finished box



TECHNICAL DETAILS

| Design | | |
|-----------------------------------|----------------------------|--------------------------|
| Box size [HxD] | Medium 160 mm x 110 mm | Large 180 mm x 130 mm |
| Square | | ✓ |
| Retractable bottom bar | | ✓ |
| Wind resistance | | |
| Wind class EN13561:2004 | | 3 |
| Guaranteed wind resistance | Up to 130 km/h when closed | |
| Application | | |
| New buildings | | ✓ |
| Renovation | | ✓ |
| Residential | | ✓ |
| Non-residential | | ✓ |
| Operation | | |
| Detecto Renson Motor Safety First | | ✓ |
| Somfy IO motor | | ✓ |

DURABILITY

| Technology | |
|--|-----------------|
| Fixscreen-technology | ✓ |
| Smooth-technology | ✓ |
| Fixscreen Minimal Connect&Go-technology | ✓ |
| Click&Safe-technologie | ✓ |
| Certificates | |
| Declaration of Performance [DoP] | DOP-2015SC00006 |
| Warranty | |
| 10-year warranty on the powder coating of the aluminium elements | ✓ |
| 7-year warranty on Fixscreen-technology | ✓ |
| 7-year warranty on Detecto Rensonmotor Safety First | ✓ |
| 5-year warranty on the electronic controls [motor & automation] | ✓ |
| 5-year product warranty | ✓ |
| 5-year warranty on the fabric collection | ✓ |
| 5-year warranty on the glass level | ✓ |

DIMENSIONS

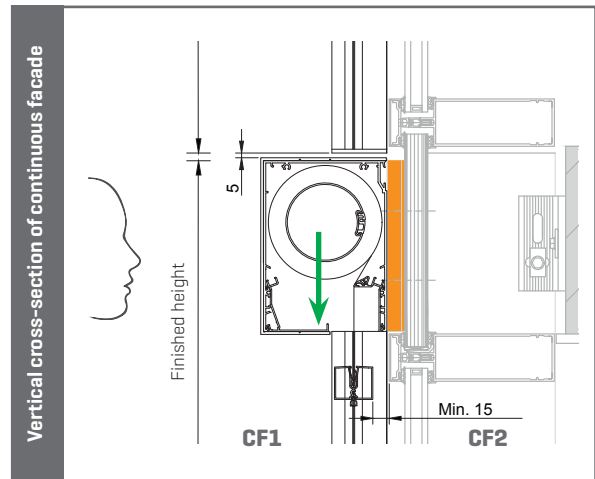
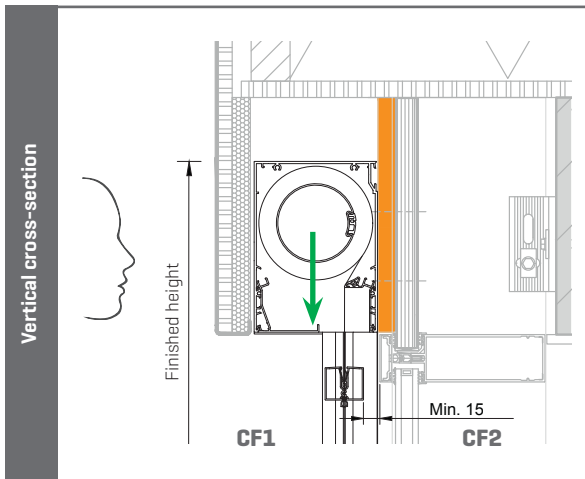
| | | Medium | Large |
|---|---------------------|---------------------|---------------------|
| Single screen | | | |
| Fibreglass fabrics Sergé / Natté / Privacy | Min. width Somfy IO | 900 mm | 900 mm |
| | Min. width Detecto | 670 mm | 670 mm |
| | Max. width | 3,600 mm | 3,600 mm |
| | Max. height | 4,000 mm | 6,000 mm |
| | Max. surface area | 14.4 m ² | 21.6 m ² |
| Blackout fibreglass fabrics Satiné 21154 | Min. width Somfy IO | 900 mm | n.a. |
| | Min. width Detecto | 670 mm | n.a. |
| | Max. width | 3,600 mm | n.a. |
| | Max. height | 4,000 mm | n.a. |
| | Max. surface area | 14.4 m ² | n.a. |

Note:

- To enable the interlinking of an infinite number of screens, the design takes due account of thermal expansion and shrinkage, which limits the maximum width to 3,600 mm.
- The fill profile is mounted on the outside of the start and stop screens as standard. It is optional for other coupling side guiding channels.
- The start screen is always mounted on the left, and further units are installed from start to stop screen.
- Mounting the stop screen requires an additional installation width of 30 mm.
- Combination with curtain wall system to be validated in consultation with system supplier.

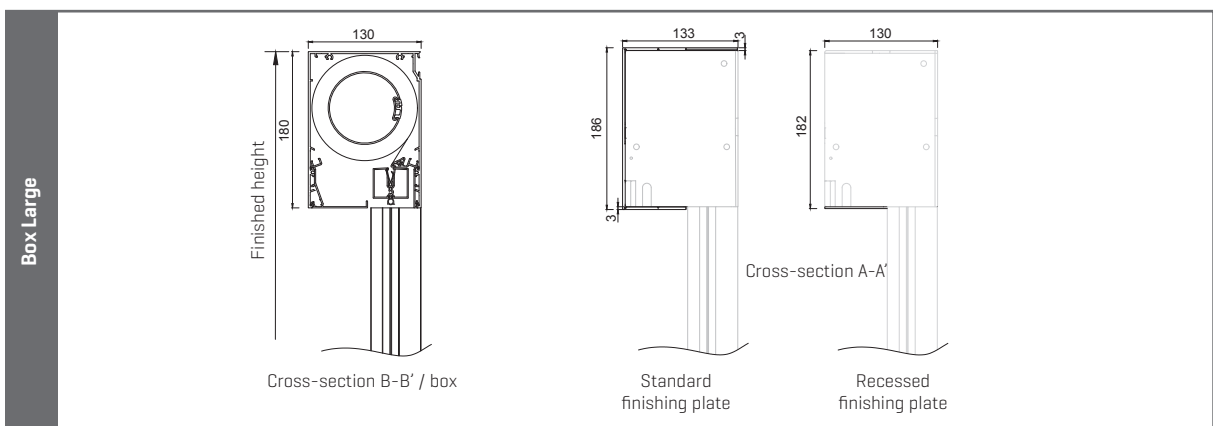
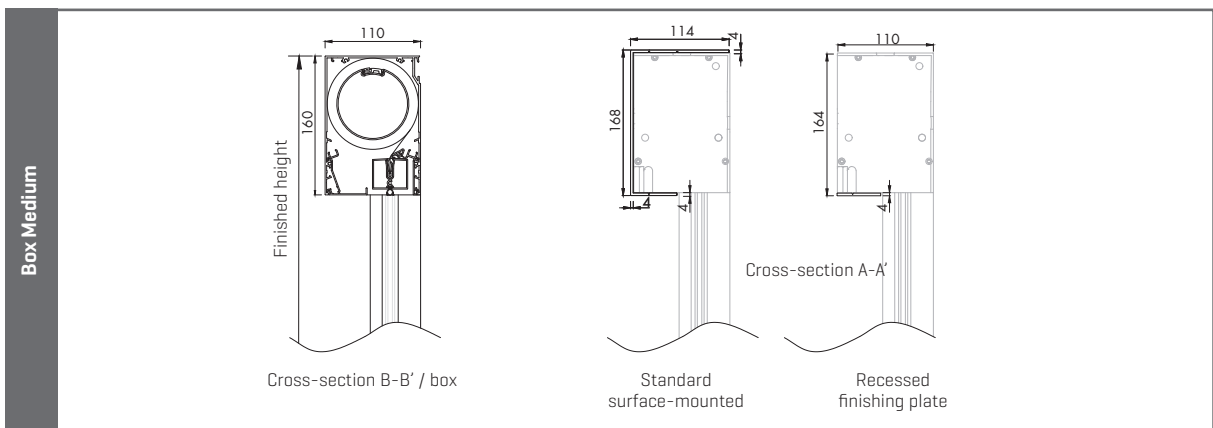
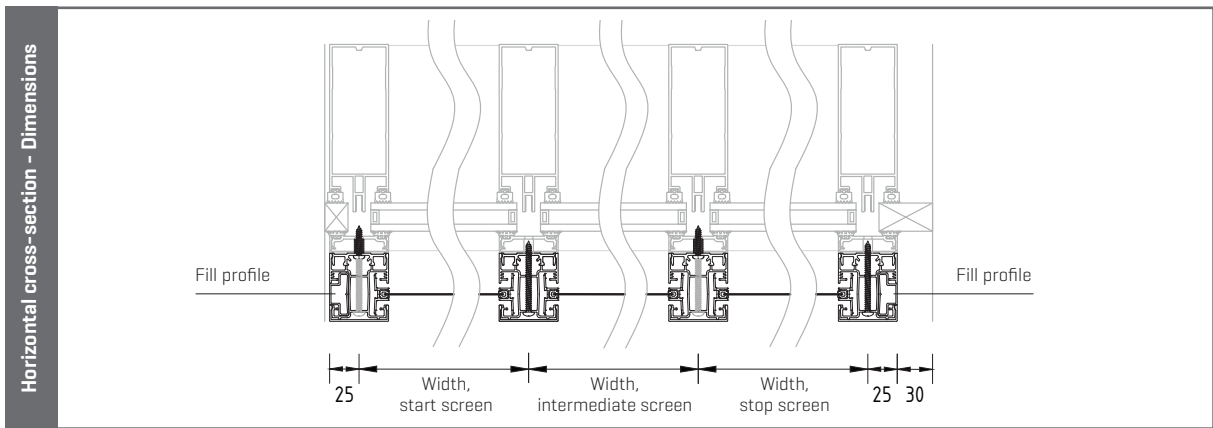


TECHNICAL DRAWINGS

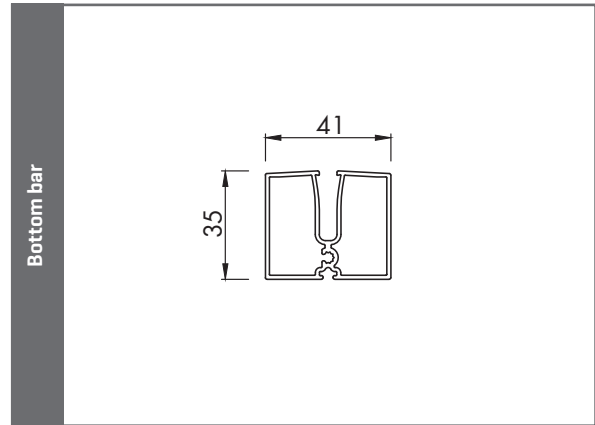
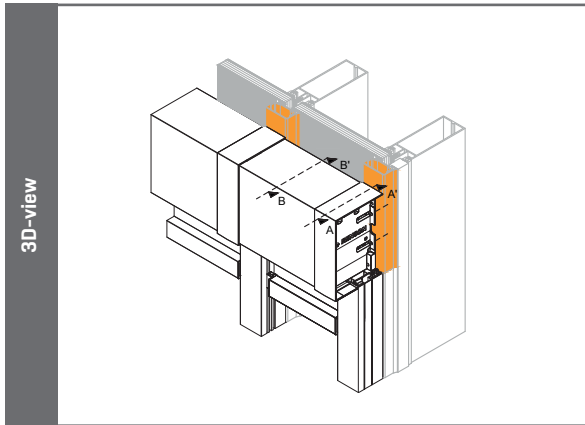


Viewing direction determines selection option cable feed left or right

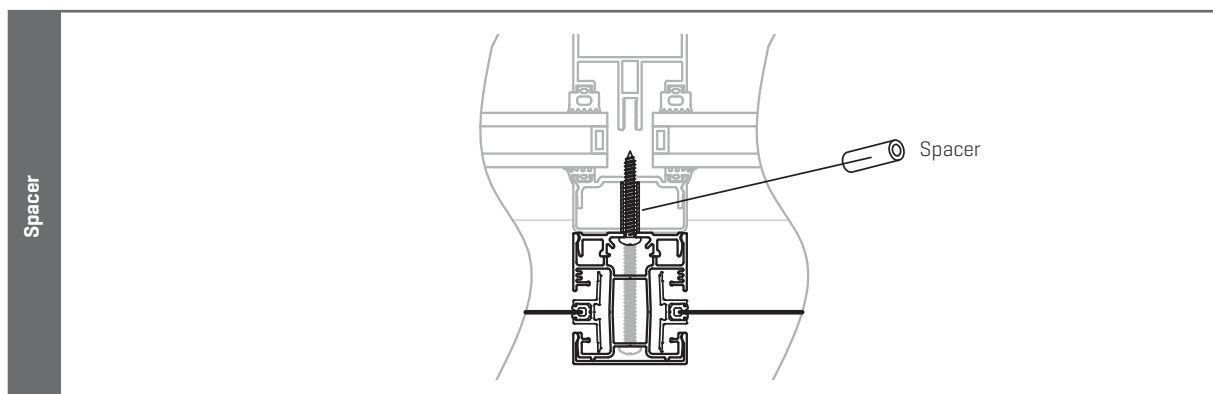
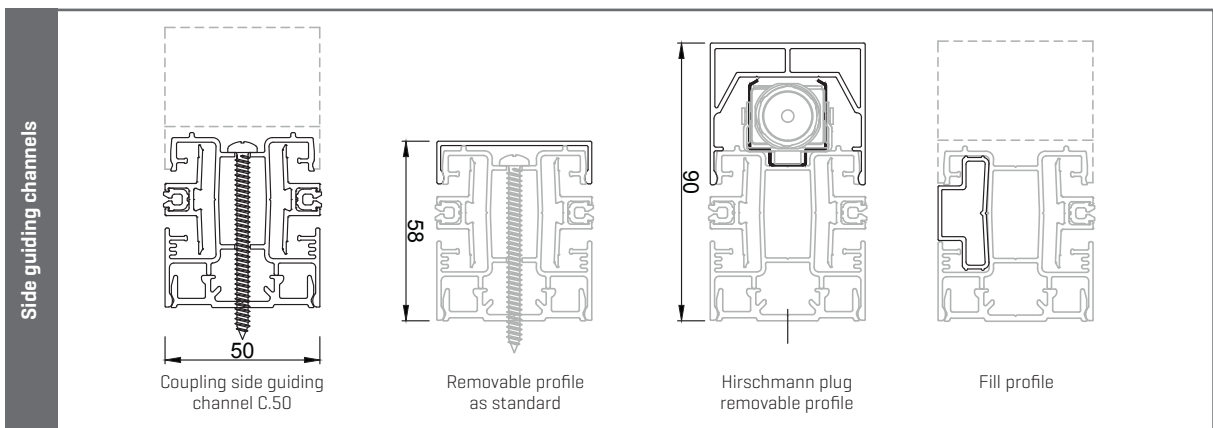
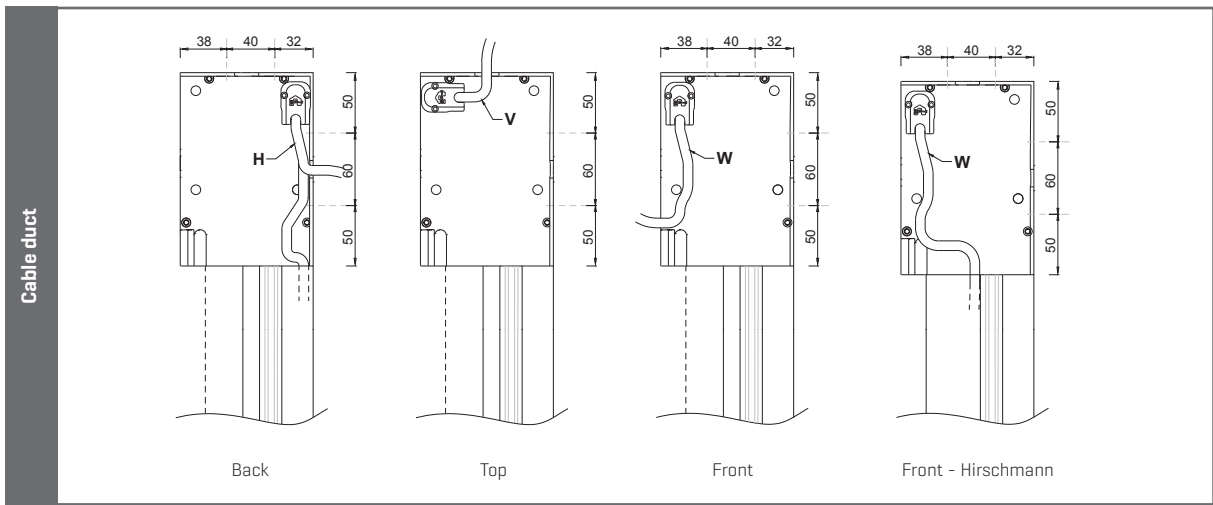
Direction in which fabric roller should be demounted



TECHNICAL DRAWINGS



Attention: In order to enable the replacement of underlying glass without dismantling the box, it is advisable to interrupt both the cover profiles and the side guide clamp.

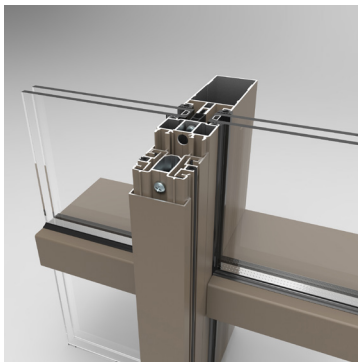


Note: spacer can be provided according to the type of cover profile of the curtain wall system.

FIXSCREEN® MINIMAL CURTAIN WALL 50

Compatible with Reynaers Aluminium ConceptWall 50

Installation method 7A (MS 7A): Surface-mounted or recessed, in front of the window, with fully finished box



Reynaers Aluminium and Renson join forces for the ultimate combination of curtain walls and fabric sun protection. Both Renson's Fixscreen Minimal Curtain Wall 50 and the ConceptWall 50 from Reynaers Aluminium have been updated to perfectly align with each other. The result is a unique, tested and validated all-in-one solution.

TECHNICAL DETAILS

| Design | | |
|-----------------------------------|----------------------------|--------------------------|
| Box size [HxD] | Medium 160 mm x 110 mm | Large 180 mm x 130 mm |
| Square | | ✓ |
| Retractable bottom bar | | ✓ |
| Wind resistance | | |
| Wind class EN13561:2004 | 3 | |
| Guaranteed wind resistance | Up to 130 km/h when closed | |
| Operation | | |
| Detecto Renson Motor Safety First | | ✓ |
| Somfy IO motor | | ✓ |

DURABILITY

| Technology | |
|--|-----------------|
| Fixscreen-technology | ✓ |
| Smooth-technology | ✓ |
| Fixscreen Minimal Connect&Go-technology | ✓ |
| Click&Safe-technologie | ✓ |
| Certificates | |
| Declaration of Performance [DoP] | DOP-2015SC00006 |
| Warranty | |
| 10-year warranty on the powder coating of the aluminium elements | ✓ |
| 7-year warranty on Fixscreen-technology | ✓ |
| 7-year warranty on Detecto Rensonmotor Safety First | ✓ |
| 5-year warranty on the electronic controls [motor & automation] | ✓ |
| 5-year product warranty | ✓ |
| 5-year warranty on the fabric collection | ✓ |
| 5-year warranty on the gloss level | ✓ |

DIMENSIONS

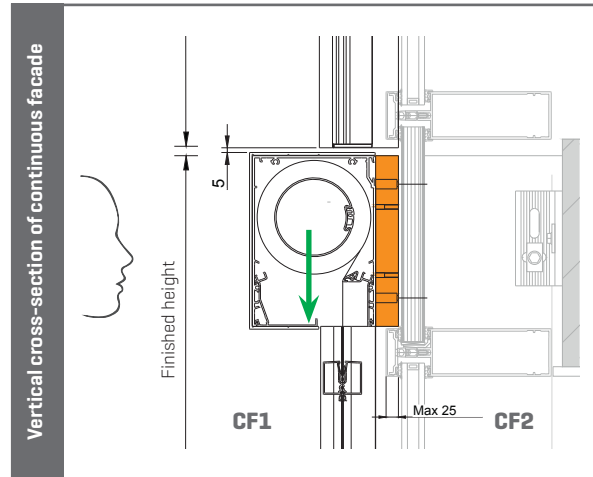
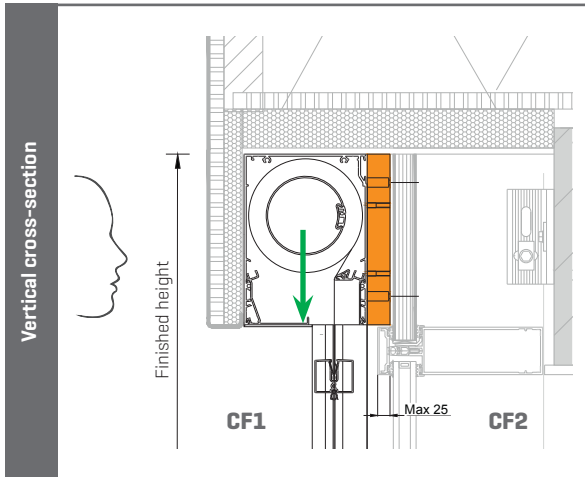
| | | Medium | Large |
|---|---------------------|---------------------|---------------------|
| Single screen | | | |
| Fibreglass fabrics Sergé / Natté / Privacy | Min. width Somfy IO | 900 mm | 900 mm |
| | Min. width Detecto | 670 mm | 670 mm |
| | Max. width | 3,600 mm | 3,600 mm |
| | Max. height | 4,000 mm | 6,000 mm |
| | Max. surface area | 14.4 m ² | 21.6 m ² |
| Blackout fibreglass fabrics Satiné 21154 | Min. width Somfy IO | 900 mm | n.a. |
| | Min. width Detecto | 670 mm | n.a. |
| | Max. width | 3,600 mm | n.a. |
| | Max. height | 4,000 mm | n.a. |
| | Max. surface area | 14.4 m ² | n.a. |

Note:

- To enable the interlinking of an infinite number of screens, the design takes due account of thermal expansion and shrinkage, which limits the maximum width to 3,600 mm.
- The fill profile is mounted on the outside of the start and stop screens as standard. It is optional for other coupling side guiding channels.
- The start screen is always mounted on the left, and further units are installed from start to stop screen.
- Mounting the stop screen requires an additional installation width of 30 mm.
- **The product combination with the ConceptWall 50 must be configured in accordance with the specifications from Reynaers Aluminium and through a Reynaers Aluminium partner.**

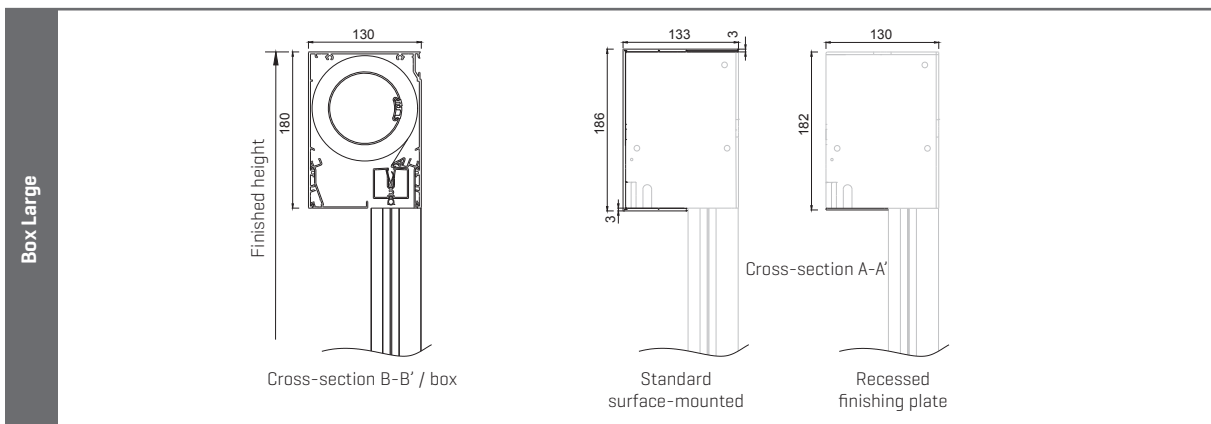
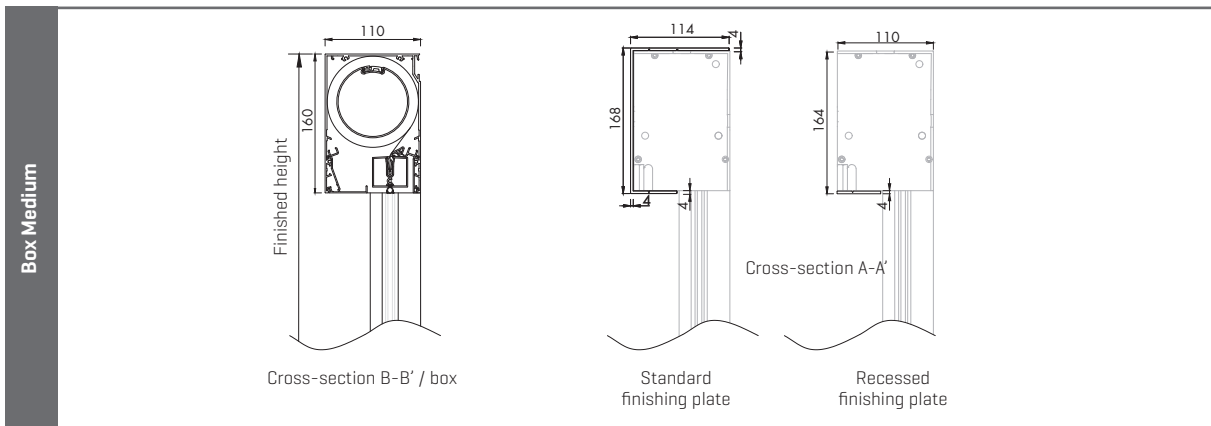
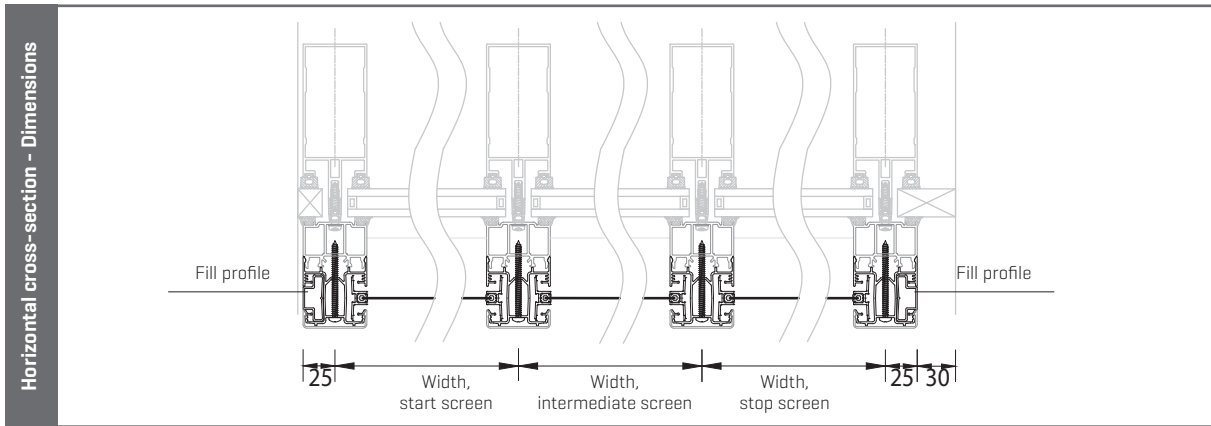


TECHNICAL DRAWINGS

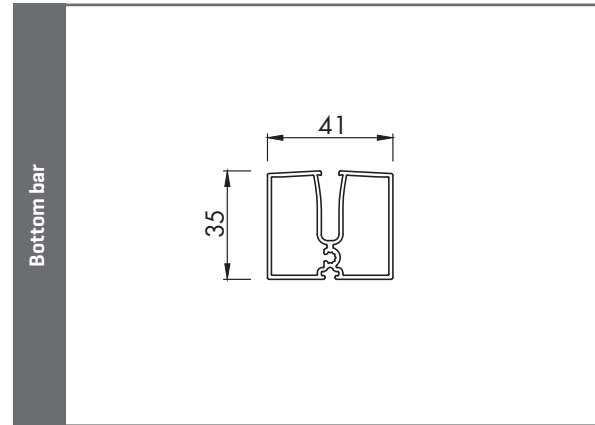
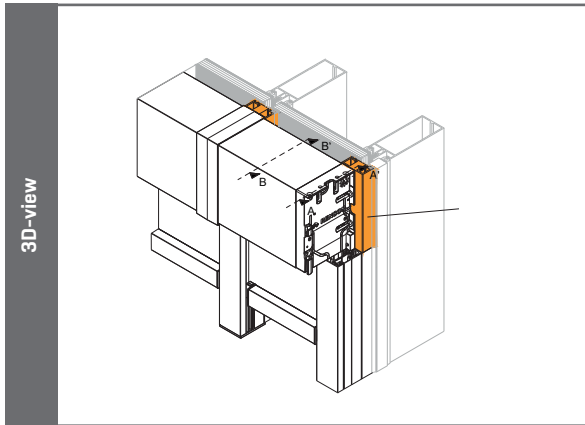


Viewing direction determines selection option cable feed left or right

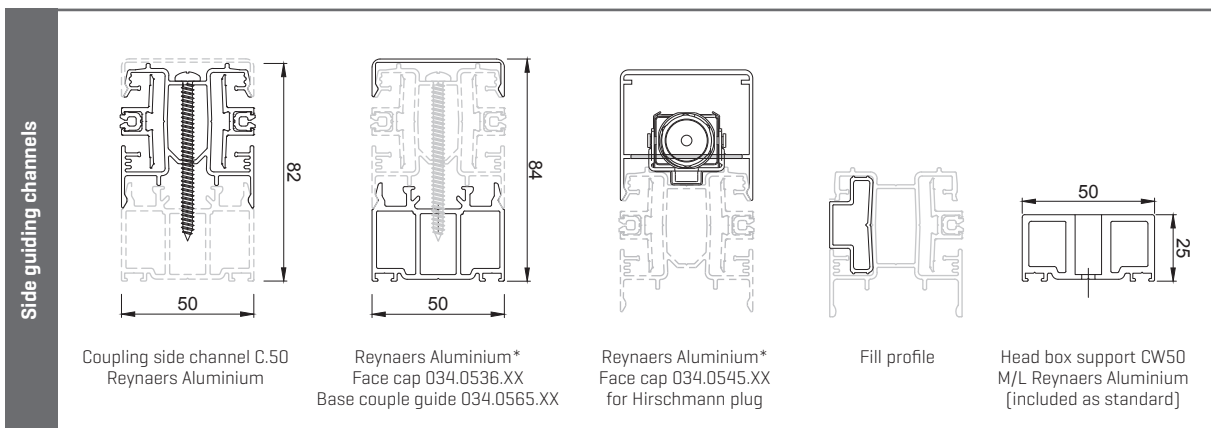
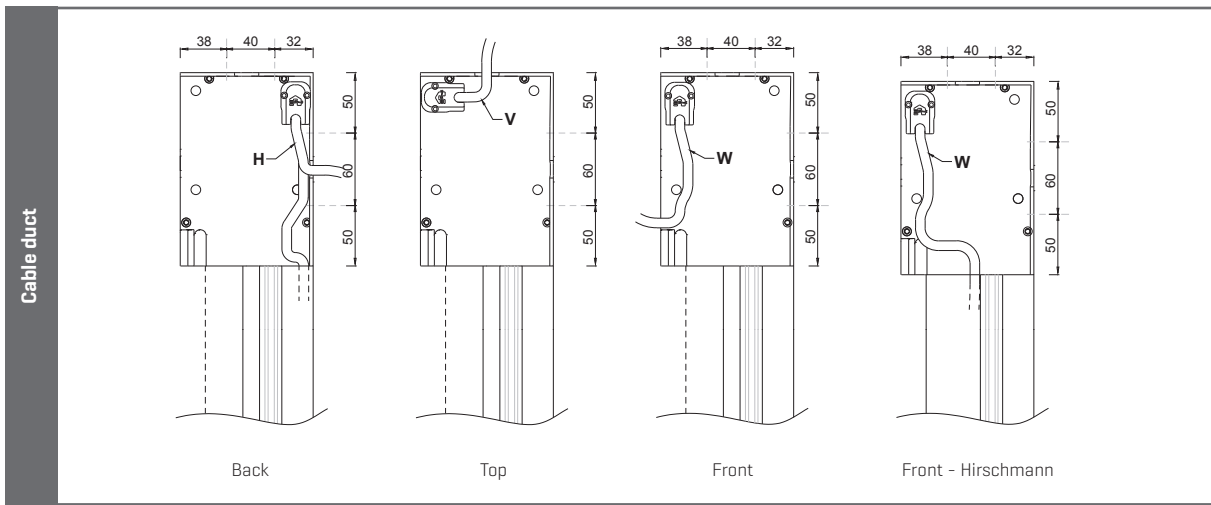
Direction in which fabric roller should be demounted



TECHNICAL DRAWINGS



Attention: Use of the **head box support CW50 M/L Reynaers Aluminium** is necessary for easy assembly of the head box and to allow replacement of the underlying glass without disassembly of the head box.

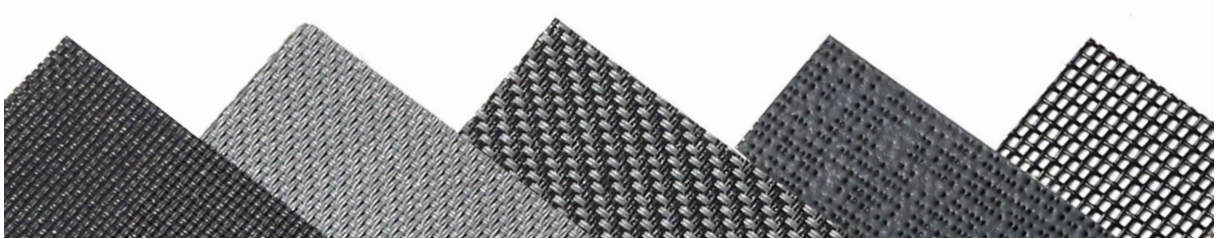


* To be ordered from Reynaers Aluminium



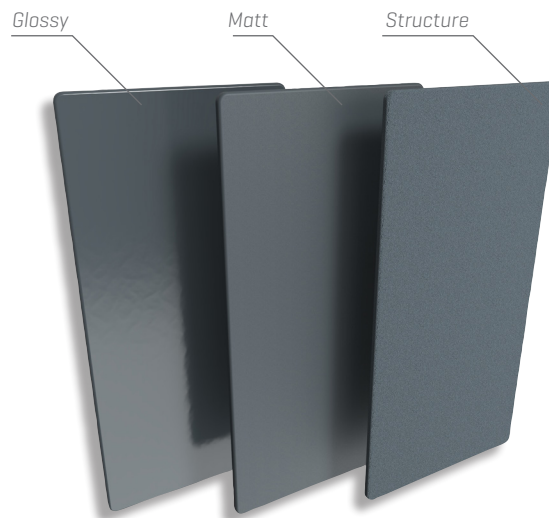
FABRICS

Renson® has a wide range of fabrics: polyester, fibreglass fabrics and blackout fabrics. Fabric screens contribute a decorative aspect in addition to performing their functional role, of providing protection from sunlight. This enables them to seamlessly integrate into the architecture of the home. The screens also have a very long service life, and keep insects out. The fabrics are distinguished on the basis of their transparency and translucency, with a wide range of options therein. It is possible to have a suitable type of fabric for every application, due to their specific characteristics, and the wide range of fabric colours available.



RENSON® COLOURS

We offer a wide range of colours. Available as standard in approximately 100 different colours with gloss level 70%, gloss level 30%, or textured coating. This ensures that sun protection fabric always integrates seamlessly with the style of the building. The choice is yours: a glossy or matt version, or a trendy textured coating that is not only wear and scratch-resistant but also easy to maintain.



WARRANTY

Renson® exclusively uses high-quality materials. Your customer is therefore assured of an extended warranty period on all parts, thereby ensuring absolute peace of mind.

- **10-year** warranty on all coatings on the aluminium elements.
- **7-year** warranty on the Fixscreen-technology [zip must remain in side guiding channel + optimal connection between zip and screen].
- **5-year** product warranty on normal home use and regular maintenance.





RENSON® Headquarters
Maalbeekstraat 10, IZ 2 Vijverdam, B-8790 Waregem, Belgium
Tel. +32 56 30 30 00
info@renson.eu
www.renson.eu

